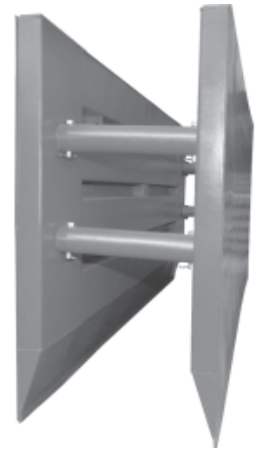
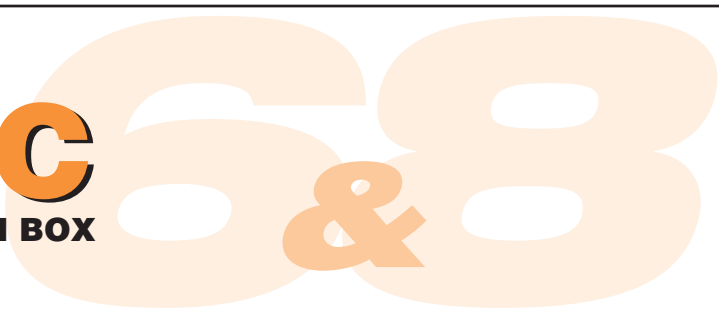


THE BASIC

ALL STEEL TRENCH BOX



Both the **Basic 6&8's** are a perfect match for many of today's contractors. The 17' C-Soil Depth rating combined with sloping program will cover a maximum range of job situations. The weight and durability as well as its affordability make it a perfect match for excavators in the 19 metric ton to 24 metric ton class. More room allows for faster mainline production for jobs laying up to 18' lengths of pipe. An alternative depth rating is available. (25' C-Soil.)

FEATURES: • Tamping Blocks • Lifting Lugs
• Forged Pins • High Taper • 3/8"x 3" Cutting Bar
• Solid Welded

ACCESSORIES: • Stacking Plates & Lugs
• Tandem Lugs & Plates • Chain Slings • Drop Ons

Vertical Clearances			
Height (ft)	5'	7.5'	
Rear Pipe (in)	27	47	
Front Pipe (in)	27	26	

Horizontal Clearances				
Length (ft)	20'	*20'	24'	*24'
Front to Rear (in)	214"	182"	266"	206"

Pound Pads (in) 3/4"	50	50	74	74
----------------------	----	----	----	----

*Clearances with the increased depth rating.

E Spreaders	
Length	Weight
18 in.	307 lb.
24 in.	394 lb.
30 in.	480 lb.
36 in.	567 lb.
42 in.	654 lb.
48 in.	741 lb.
54 in.	827 lb.
60 in.	914 lb.
72 in.	1088 lb.
84 in.	1261 lb.
96 in.	1435 lb.
ADJ.	450 lb.
8" SPR SET OF 4	

Model	Weights & Price		Spreader Table	Standard		
Model - H x L Style	Weight			Depth Ratings		
B# - # X # - #	POUNDS			A Soil	B Soil	C Soil
FEET						
B6 - 5' X 20' - K	4787		E	32'	19'	15'
B6 - 7.5' X 20' - K	6900		E	38'	22'	17'
B8 - 5' X 24' - K	5643		E	27'	16'	12'
B8 - 7.5' X 24' - K	7990		E	32'	19'	15'

BASIC 6&8: Extra Depth Available (25' C-Soil)

STYLE: K — Knife ST — Stacker Knife

THE BASIC

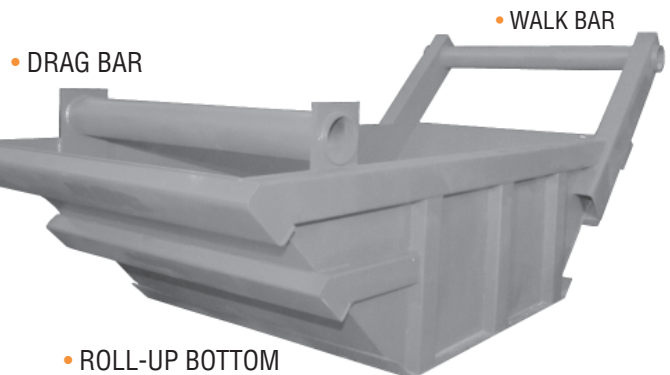
ALL STEEL



Walk Bar: The **Walk Bar** is **standard** on the basic stone box, and is solid welded creating an extra strong box.

Drag Bar: The **Drag Bar** is also **standard** on the basic stone box. It is welded to two heavy plates and inset from the front of the box. This helps strengthen the box and hold the sides in place.

Roll-up Bottom: The ends of the base are rolled up allowing for easy box movement.



Model	Weight	Lengths		Widths		Heights	
		OD	ID	OD	ID	Walk Bar	Side
	Pounds	inches		inches		inches	
SB - 4.5 CYD	2735	168	143	64	50	72	42
SB - 6 CYD	2980	182	151	74	58	73	42
SB - 7.5 CYD	3810	182	151	87	73	73	42
SB - 9 CYD	4040	198	167	89	73	84	48