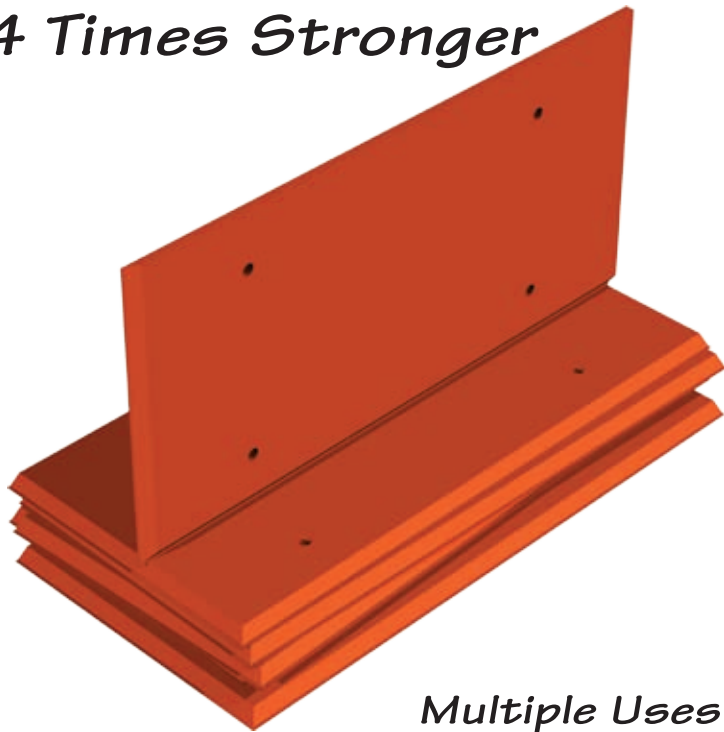


**4 Times Stronger**



**Multiple Uses**

## T1 Trench Plate

**Engineered to Increase Safety and Improve Production.**

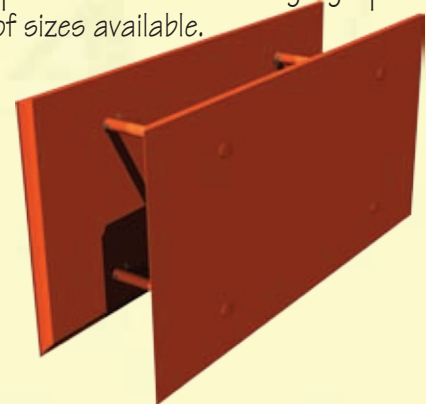
**Secure** dangerous ends of a drag box. Use with trench lining equipment to control fill safely and stretch shoring up to a crossing utility. For these applications the stacking option is available.

**Drive** T1 use a trench box as a waler to open up a trench fast in soft soil. Also can be used with a regular waler system.

**Create** a thin wall trench box by using the socket option and save money on premium fill.

**Span** an open trench with bridging options.

**Full Range** of sizes available.



## Building Beyond

**Strong and Durable** The 2.5 T1 is four times stronger than a 1" road plate and is P.E. certified.

**Composite Structure Design** combined with strategic placement of reinforcement makes a rough and tumble tool easy to use with any excavator and gives ability to open up a trench safely and quickly.

**PE Certified** user manual that matches practical uses and meets OSHA guidelines.

**Added engineering** available to customize applications to your needs.

## T1 Trench Plate - Accessory Options

[www.kundel.com](http://www.kundel.com)

### Accessories

Button Socket

Spreaders

Spreader Adjusters

Drop-On Hooks

Rigging

Slide Rail

Spreader Rail

Stacking Plate

Bridge Beam

### Options:

Knife edges

Drive Area

Stacking Eyes

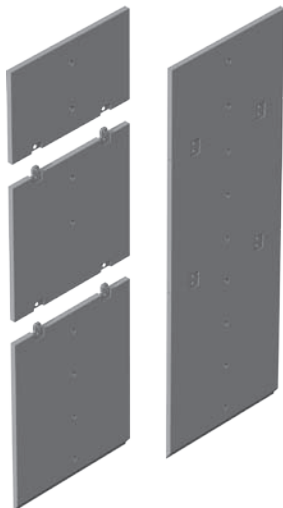
Socket Holes

Bridge Holes

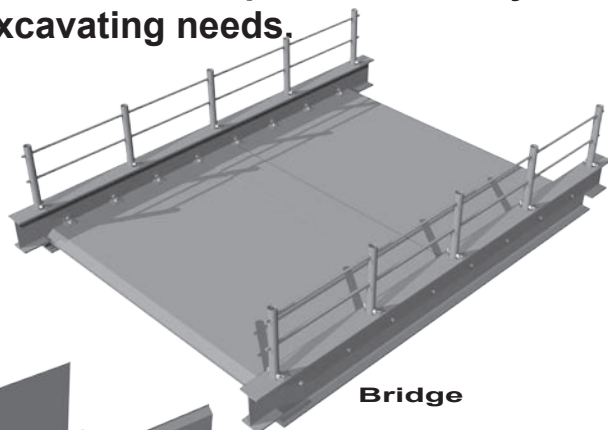
Rail Ends

**T1 - Secures Open Ends, Stops oozing soil,  
Saves on premium fill, Bridges over trench**

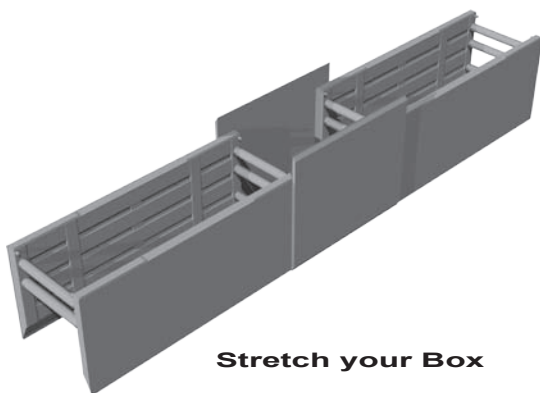
The T1 Trench Plate will help combat nearly all of your trench excavating needs.



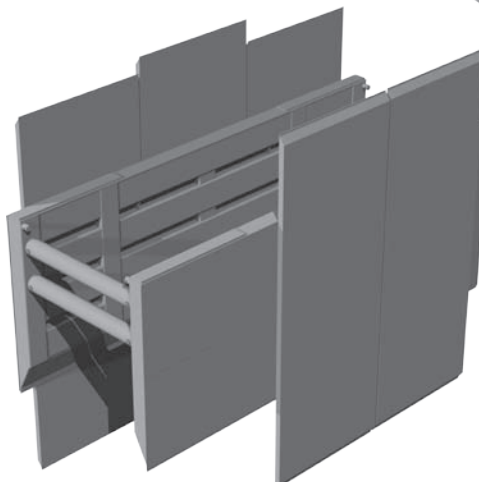
**Stackable Trench Plate**



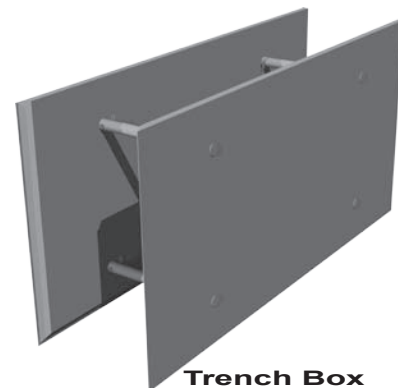
**Bridge**



**Stretch your Box**

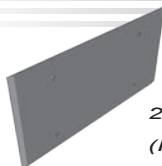


**Box Waler**



**Trench Box**

**T1 Trench Plate**



2.5" - T1  
(Individual Panel weights)

3" - T1  
(Individual Panel weights)

3.5" - T1  
(Individual Panel weights)

size	wgt.
4' X 4'	500
4' X 6'	750
4' X 8'	1000
4' X 10'	1250
8' X 6'	1500
8' X 8'	2000
8' X 10'	2500
8' X 12'	3000
8' X 14'	3500
8' X 16'	4000
8' X 18'	4500
8' X 20'	5000

size	wgt.
4' X 4'	650
4' X 6'	990
4' X 8'	1320
4' X 10'	1650
8' X 6'	1980
8' X 8'	2640
8' X 10'	3300
8' X 12'	3960
8' X 14'	4620
8' X 16'	5280
8' X 18'	5940
8' X 20'	6600

size	wgt.
4' X 4'	770
4' X 6'	1155
4' X 8'	1540
4' X 10'	1925
8' X 6'	2310
8' X 8'	3080
8' X 10'	3850
8' X 12'	4620
8' X 14'	5390
8' X 16'	6160
8' X 18'	6930
8' X 20'	7700

**Note:**

With many different size panels combined with our list of accessories, the possibilities are endless. Just call Kundel Industries and talk to a customer service rep and describe your situation and Kundel will help you solve the problem. Also available, combination owners manual for multi-function trench plate in conjunction with your other Kundel Trench Equipment.

Call or visit us online for a complete list of accessories  
**ALL INFORMATION SUBJECT TO CHANGE WITHOUT NOTICE.**

