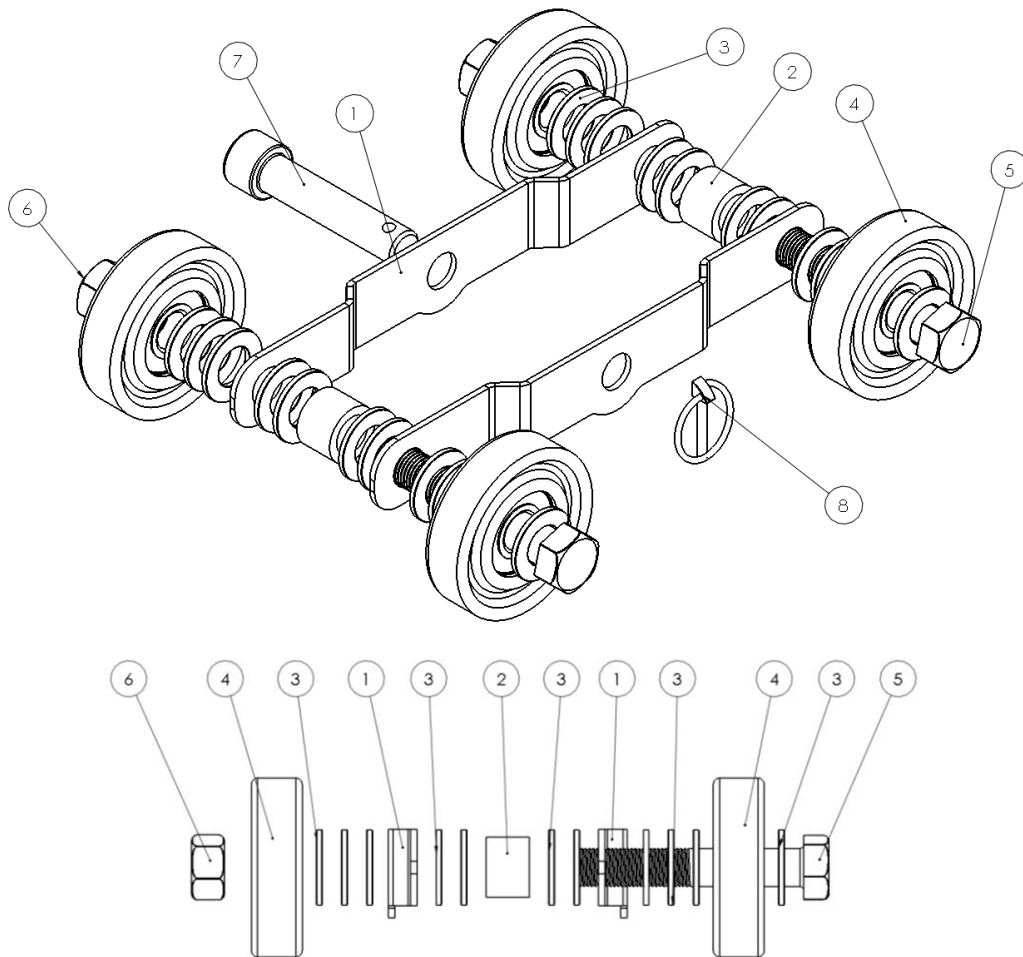


Cantilever Bridge Anti-Kick Device Installation

-Assemble the Anti-Kick device as shown below.

Item No.	Description	Quantity
1	Frame	2
2	Plastic Spacer	2
3	Washer	22
4	Wheel	4
5	¼ Bolt	2
6	¼ Nut	2
7	Trolley Pin	1
8	Keeper	1



-Use thread-locking agent on the nut.

-Support the bridge and remove the trolley pin on the non-cantilevered side of the bridge.

-Place the anti-kick device on the outside of the yoke of the endtruck.

-Insert the pin included with the kit through the anti-kick device and trolley eye.

-Make sure to place the keeper through the pin and latch it.

